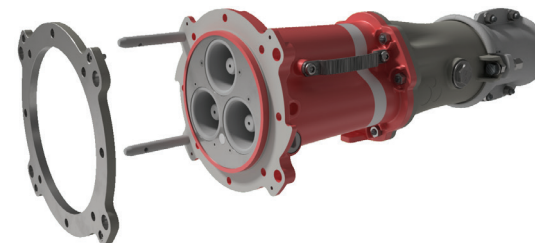


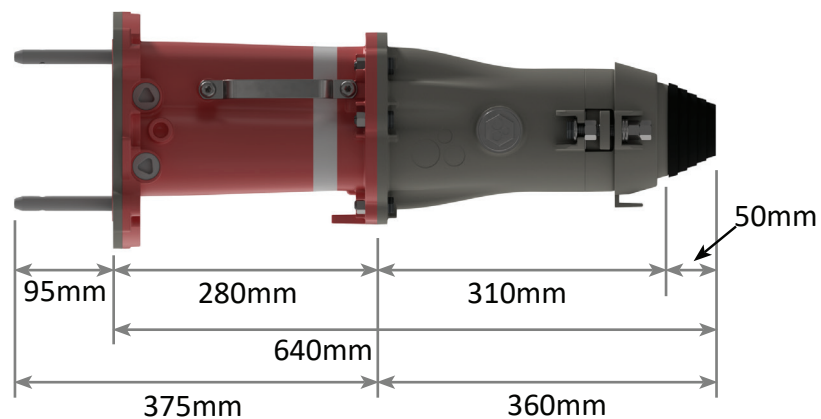
# Ex118BSSRF Range

## High Voltage Removable Flange

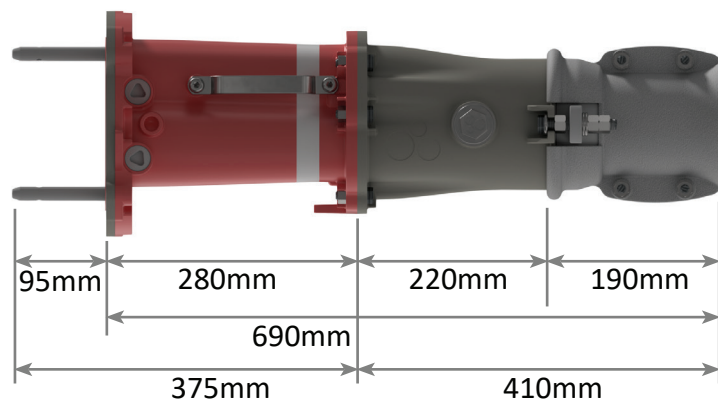
### Flame Proof Couplers



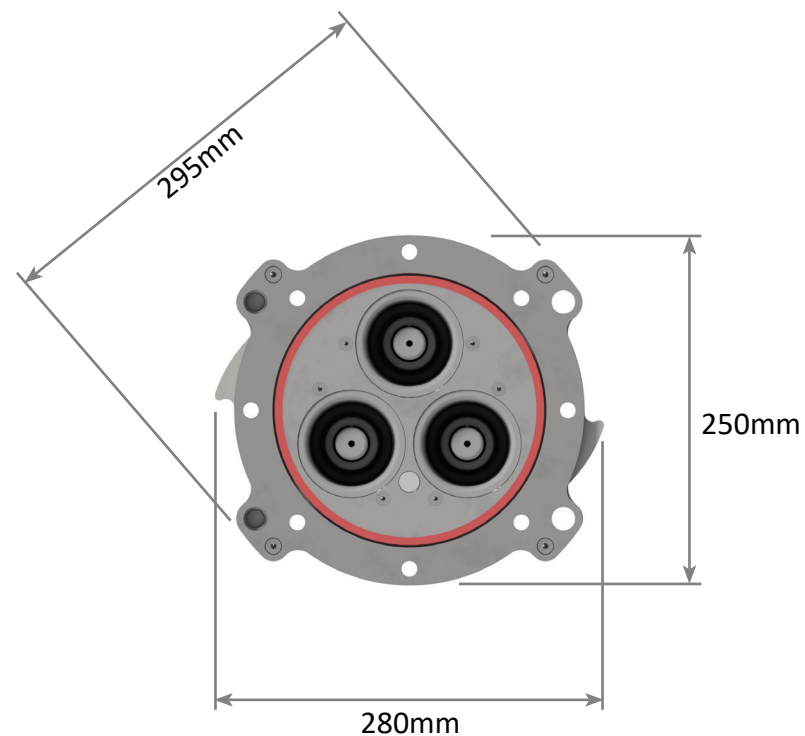
Side View (ARM)



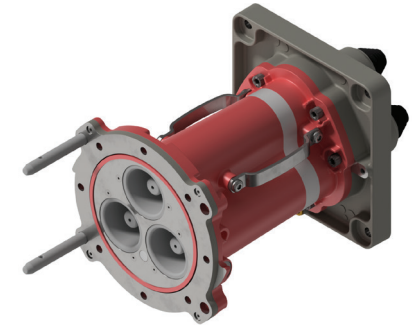
Side View (UN-ARM)



Front View



**Ex118BSSRF Range**  
**High Voltage Removable Flange**  
**Flame Proof Couplers**



*Side and Front View*

